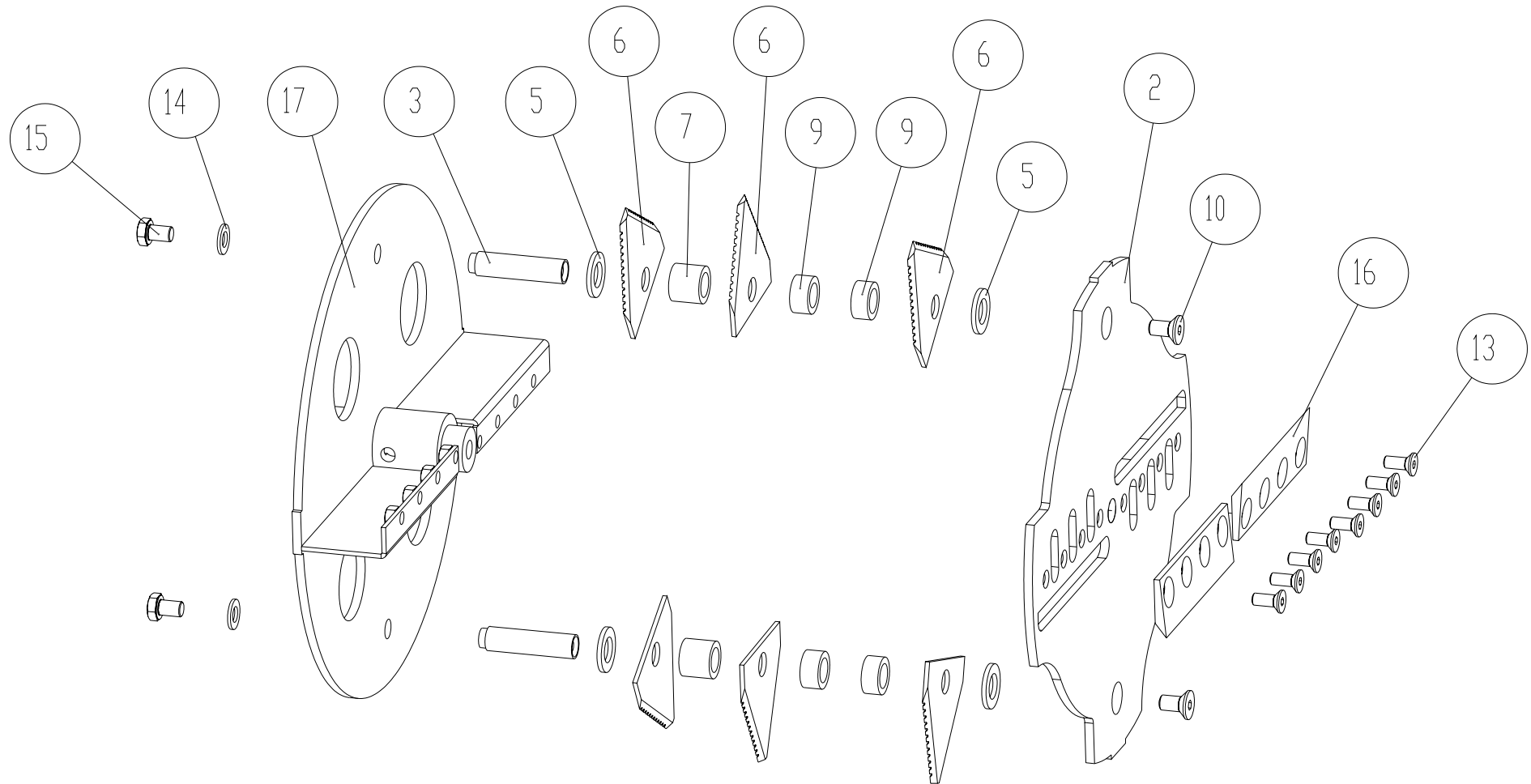


BIO 90 B

Tav.1 - Machine Assembly



Pos.	Description	Q.ty	Code
1	Frame	1	000018
2	Rotor group	1	000019
3	Hopper Group	1	000020
4	Bearing support PF	2	000021
5	Spacer L=38	4	000022
6	Bearing 208	1	900023
7	Screw TE 5/16"x 2"½ UNF	4	900024
8	Washer	1	000023
9	Screw TE 7/16" x 3" UNF (GX 270)	1	900025
10	Washer ø10x30	4	900026
11	Self-lock nut M8	15	900027
12	Screen	1	000024
13	Washer ø10	6	900028
14	Screw TE M10x130	2	900029
15	Self-lock nut M10	6	900030
16	Screen inspection	1	000025
17	Wheels spacer	2	000026
18	Wheel 260x85	2	900031
19	Washer ø8	1	900034
21	Rubber feet ø40x20	1	900036
22	Engine Honda GX 270	1	900008
23	Screw TE M10x50	4	900037
24	Cover	1	000027
25	Washer ø8x24	9	900038
26	Screw TBEI M8x20	2	900039
27	Wing nut M8x20 M	1	900040
29	Snap on clip 4	2	900033
30	Engine Honda GX 390	1	900019
31	Decal	1	000028
32	Decal	1	000029
33	Decal	1	000030
34	Decal	1	000031
35	Decal	2	000032
36	Decal	1	000033
37	Decal	1	000034
38	Decal	1	000035
39	Screw TE 3/8"x 3" UNF (GX 390)	1	900035

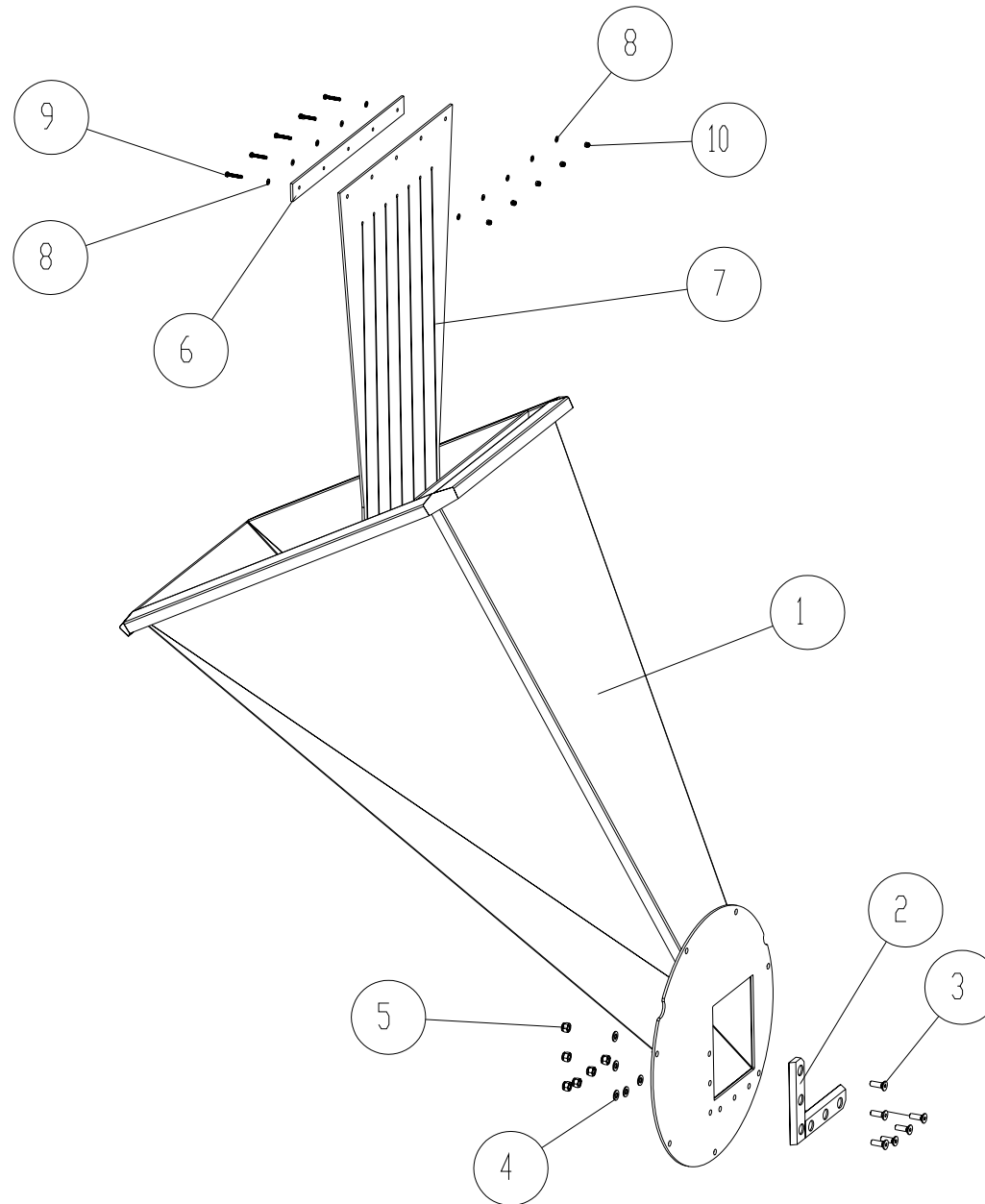


BIO 90 B

Tav.2 - Rotor Assembly



Pos.	Description	Q.ty	Code
2	Rotor disc	1	000036
3	Pin	2	000037
5	Washer \varnothing 16x3	4	900003
6	Blade TR 3	6	000038
7	Spacer H=21	2	000039
9	Spacer H=11.5	4	000041
10	Screw TSPEI M10x20	2	900042
13	Screw TSPEI M8x20	8	900043
14	Washer \varnothing 10	2	900028
15	Screw TE M10x16x1	2	900032
16	Chipper blade	2	000042
17	Rotor	1	000043



BIO 90 B Tav.3 - Hopper Assembly



Pos.	Description	Q.ty	Code
1	Hopper	1	000044
2	Counterblade	2	000045
3	Screw TSPEI M8x25	6	900045
4	Washer ø8	6	900038
5	Self-lock nut M8	6	900027
6	Rubber fixing plate	1	000046
7	Hopper protection rubber	1	000047
8	Washer ø6x18	10	900046
9	Screw TE M6x25	5	900044
10	Self-lock nut M6	5	900041